



High Conversion Efficiency

High panel efficiency to guarantee high power output



Self-Cleaning and Anti-Reflection Glass

Coating glass for self-cleaning reduces surface dust



Outstanding Low Irradiation Glass

Outstanding panel performance even in weak light conditions



Excellent Durability

Wind load up to 2400 Pa, Snow load up to 5400 Pa



0 ~+5W Positive Power Tolerance



Easy Installation



30

YEARS
PERFORMANCE
WARRANTY

☉ 30 Years performance warranty

☉ 12 Years product warranty

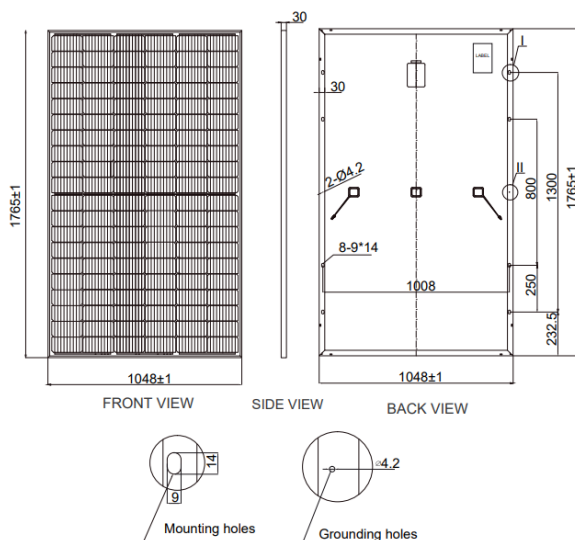


RoHS

ELECTRICAL CHARACTERISTICS

Model Type	BM365-ST8123
Peak Power (Pmax)	365W
Maximum Power Voltage (Vmp)	34.10V
Maximum Power Current (Imp)	10.71A
Open Circuit Voltage (Voc)	40.70V
Short Circuit Current (Isc)	11.42A
Weight	20.5 Kg
Maximum System Voltage	DC1500V
Operating Temperature	45°C
Security Class	C
Maximum Series Fuse Rating	20A
Dimension	1765×1048×30

PHYSICAL CHARACTERISTICS



ELECTRICAL CHARACTERISTICS

